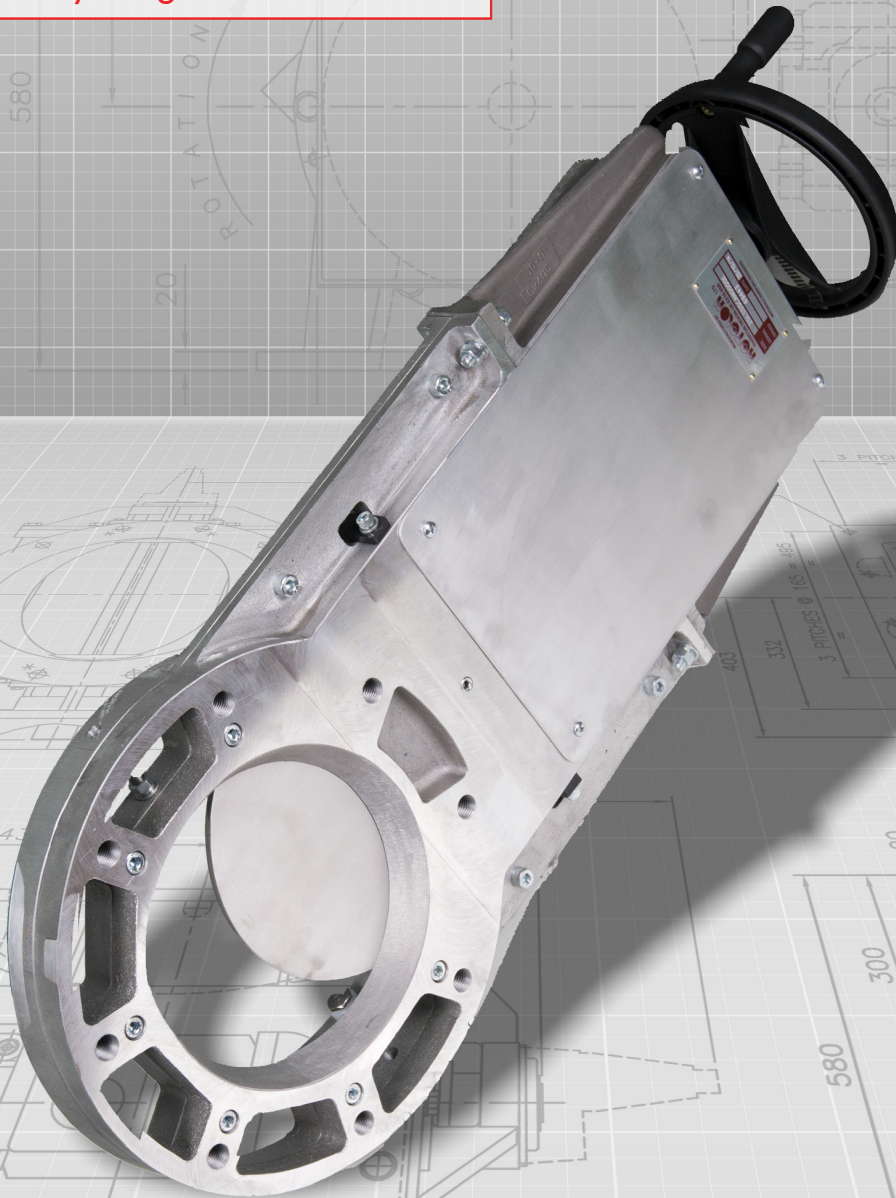


ROTOLOK

everything under control...



ROTOLOK SLIMSLIDES

ROTOLOK UK

1 Millennium Place
Tiverton Business Park
Tiverton
Devon
EX16 6SB
United Kingdom

Tel: +44 (0) 1884 232232
Fax: +44 (0) 1884 232200

www.rotolok.co.uk
sales@rotolok.co.uk



HAND/CHAIN WHEEL SLIMSLIDE

Rotolok Slim-Slides are used when isolating the flow of dry free flowing products such as powder, granules and dust.

Designed for use on various types of gravity feed applications, e.g. silos, hoppers, screw conveyors etc. where non-automatic operation is required.

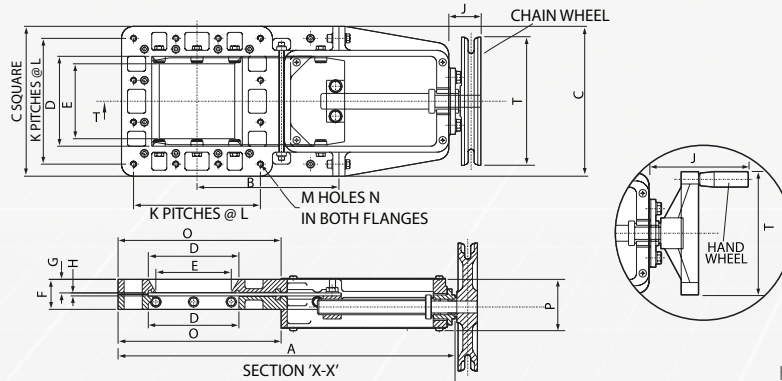
This cost effective valve is available with round or square inlets measuring between 125mm to 350mm, with options available for single pneumatic, motorised or manual operation.

KEY FEATURES

Valve can be supplied with optional limit switches to indicate open /closed positions. Its compact design is incorporated on applications where minimum space is available. Manufactured on CNC machines ensures; quick deliveries, interchangeability, accurate components and cost effectiveness. The main feature of the Slim-Slide are;

- A compact design
- No lodgement points
- Dust tight to atmosphere on in-line applications
- Stainless steel slide plate
- Aluminium body
- Nylon support studs
- Dust seals
- Available in Round and Square inlets.
- Operation through a lead screw. If chain/chainwheel is required please specify length of chain.

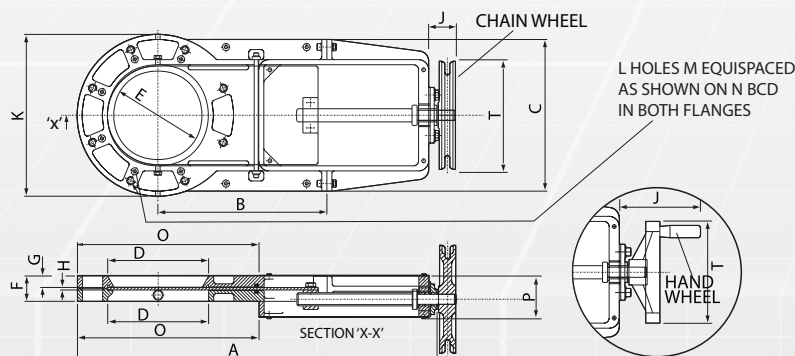
SQUARE INLET



SIZE	A	B	C	D	E	F	G	H	K	L	M	N	O	P	J	T	J	T
150	558	235	250	150	125	50	23	5	3	70	12	M10	270	86	157	200	37	214
200	668	300	300	200	175	50	23	5	3	9	12	M10	315	86	157	200	37	214
250	746	279	338	250	225	50	23	5	3	101.5	12	M12	358	86	157	200	37	214
300	858	310	400	300	275	50	23	5	3	119	12	M10	420	86	157	200	37	214
350	935	339	458	350	325	50	23	5	3	140	12	M12	478	86	157	200	37	214

All dimensions are in mm's unless otherwise stated

CIRCULAR INLET



SIZE	A	B	C	D	E	F	G	H	K	L	M	N	O	P	J	T	J	T
125	524	233	215	125	100	50	23	5	240	8	M16	200	263	86	157	200	37	214
150	599	258	250	150	125	50	23	5	286	8	M16	241	311	86	157	200	37	214
200	713	335	300	200	175	50	23	5	320	8	M16	280	360	86	157	200	37	214
250	841	358	338	250	225	50	23	5	370	8	M16	320	453	86	157	200	37	214
300	376	408	400	300	275	50	23	5	440	12	M20	395	538	86	157	200	37	214
350	1110	428	428	350	325	50	23	5	533	12	M20	445	634	86	157	200	37	214

Dimensions are approximate and subject to change without notice
Planning-in detail for general guidance only

(To cover safety aspects ask for our safety leaflets)

Drillings are Rotolok standards. Variations can be made.

PNEUMATIC SLIMSLIDE

Designed for use on various types of gravity feed applications, e.g. silos, hoppers, screw conveyors etc. where automatic operation is required. This cost effective valve is available with round or square inlets measuring between 125mm to 350mm, with options available for manual, motorised or lead screw operation.

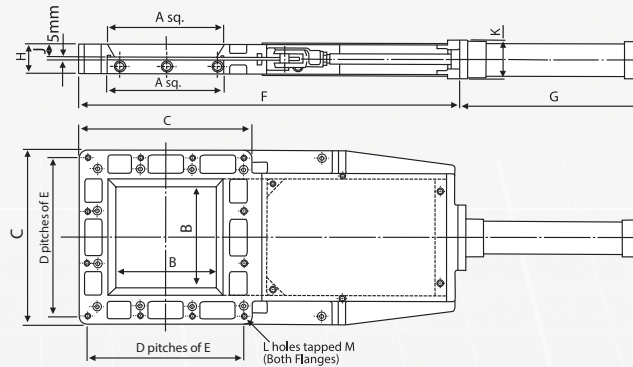
Rotolok's Slim-Slide has all the features of the Manual version, but can be operated remotely as required in process control.

KEY FEATURES

Valve is supplied complete with single solenoid spring return valve and limit switches to indicate open/closed positions. Cylinder and solenoid is pre-piped ready for installation. Its compact design is incorporated on applications where minimum space is available. Manufactured on CNC machines ensures; quick deliveries, interchangeability, accurate components and cost effectiveness. The main feature of the Slim-Slide are;

- Compact Design
- No Lodgement Points
- Dust Tight to Atmosphere on in-line applications
- Stainless Steel Slide Plate
- Aluminium Body
- Nylon Support Studs
- Stainless Steel Slide Plate
- Dust Seals
- Round and Square Inlets
- Complete with Solenoid Valve and Limit Switches

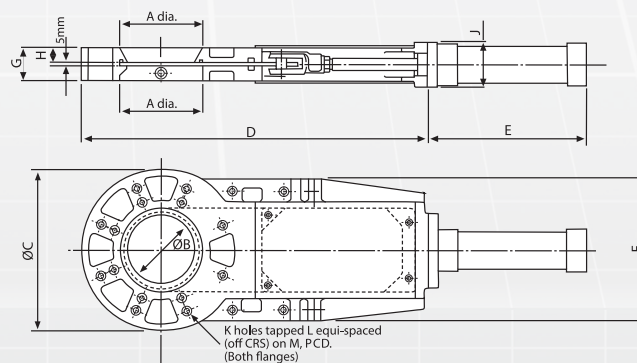
SQUARE INLET



SIZE	A	B	C	D	E	F	G	H	J	K	L	M
150	150	125	250	3	70	559	270	50	22.5	67	12	10
200	200	175	300	3	90	656	320	50	22.5	67	12	12
250	250	225	338	3	101.5	747	385	50	22.5	75	12	12
300	300	275	400	3	119	859	435	50	22.5	75	12	10
350	350	325	458	3	140	967	485	50	22.5	75	12	12

All dimensions are in mm's unless otherwise stated

CIRCULAR INLET



SIZE	A	B	C	D	E	F	G	H	J	K	L	M
125	125	100	240	547	245	215	50	22.5	67	8	16	200
150	150	125	285	600	270	250	50	22.5	67	8	16	241
200	200	175	350	701	320	300	50	22.5	67	8	16	280
250	250	225	370	842	385	338	50	22.5	75	8	16	320
300	300	275	440	977	435	400	50	22.5	75	12	20	395
350	350	325	355	1124	485	458	50	22.5	75	12	20	445

Dimensions are approximate and subject to change without notice

Planning-in detail for general guidance only

(To cover safety aspects ask for our safety leaflets)

Drillings are Rotolok standards. Variations can be made.

MOTORISED SLIMSLIDE

Designed for use on various types of gravity feed applications, e.g. silos, hoppers, screw conveyors etc. where automatic operation is required. This cost effective valve is available with round or square inlets measuring between 125mm to 350mm, with options available for manual, single pneumatic or lead screw operation.

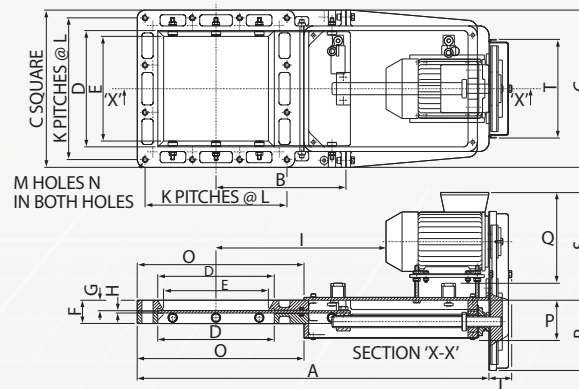
Rotolok's Slim-Slide has all the features of the Manual version, but can be operated remotely as required in process control.

KEY FEATURES

Valve is supplied complete with limit switches to indicate open/closed positions. Motor supplied with belt drive in enclosed guard. Its compact design is incorporated on applications where minimum space is available. Manufactured on CNC machines ensures; quick deliveries, interchangeability, accurate components and cost effectiveness. The main feature of the Slim-Slide are;

- Compact Design
- No Lodgement Points
- Dust Tight to Atmosphere on in-line applications
- Stainless Steel Slide Plate
- Aluminium Body
- Nylon Support Studs
- Stainless Steel Slide Plate
- Dust Seals
- Round and Square Inlets
- Complete with Limit Switches, as detailed in the drawing

SQUARE INLET

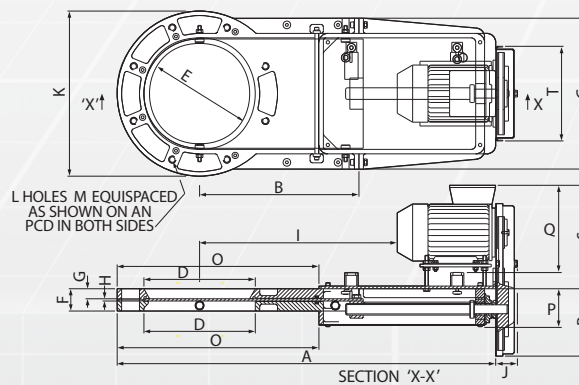


All dimensions are in mm's unless otherwise stated

Drive Spec: 0.37kW D71 foot mounted TEFC motor 1500 RPM
Supply 240/400/3/50HZ complete with 'V' belt drive in an enclosed guard

SIZE	A	B	C	D	E	F	G	H	I	J	K	L	M	N	O	P	Q	R	S	T
150	558	235	250	150	125	50	23	5	205	50	3	70	12	M10	270	85	37	151	240	212
200	668	300	300	200	175	50	23	5	290	50	3	90	12	M10	315	85	37	151	240	212
250	746	279	338	250	225	50	23	5	350	50	3	101.5	12	M12	385	85	37	151	240	212
300	858	310	400	300	275	50	23	5	430	50	3	119	12	M10	420	85	37	151	240	212
350	953	339	458	350	325	50	23	5	495	50	3	140	12	M12	478	85	37	151	240	212

CIRCULAR INLET



All dimensions are in mm's unless otherwise stated

Drive Spec: 0.37kW D71 foot mounted TEFC motor 1500 RPM
Supply 240/400/3/50HZ complete with 'V' belt drive in an enclosed guard

SIZE	A	B	C	ØD	ØE	F	G	H	I	J	ØK	L	M	N	O	P	Q	R	S	T
125	524	233	215	125	100	50	23	5	175	50	240	8	M16	200	263	85	37	151	240	212
150	599	258	250	150	125	50	23	5	230	50	285	8	M16	241	311	85	37	151	240	212
200	713	335	300	200	175	50	23	5	325	50	320	8	M16	280	360	85	37	151	240	212
250	841	358	338	250	225	50	23	5	430	50	370	8	M16	230	453	85	37	151	240	212
300	976	408	400	300	275	50	23	5	530	50	440	12	M20	395	538	85	37	151	240	212
350	1110	458	458	350	325	50	23	5	615	50	533	12	M20	445	634	85	37	151	240	212

Dimensions are approximate and subject to change without notice
Planning-in detail for general guidance only
(To cover safety aspects ask for our safety leaflets)
Drillings are Rotolok standards. Variations can be made.

MANUAL SLIMSLIDE

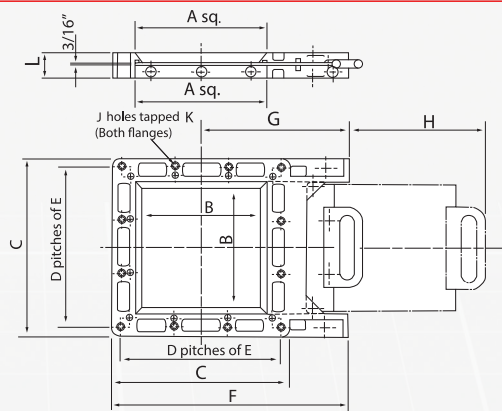
Rotolok Slim-Slides are used when isolating the flow of dry free flowing products such as powder, granules and dust. Ideal for various types of gravity feed applications e.g. silos, hoppers, screw conveyors etc., where easy access or infrequent use lends itself to manual operations. This cost effective valve is available with round or square inlets measuring between 125mm to 350mm, with options available for single pneumatic, motorised or lead screw operation.

KEY FEATURES

The Slim Slide by careful design has a build up facility and by adding further components it can easily be converted from the manual version to: single pneumatic, screw type or motorised. Its compact design is incorporated on applications where minimum space is available. Manufactured on CNC machines ensures; quick deliveries, interchangeability, accurate components and cost effectiveness. The main features of the Slim-Slide are;

- Compact Design
- No Lodgement Points
- Minimum Dust Escapement
- Precision Machined
- Aluminium Body
- Nylon Support Studs
- Stainless Steel Slide Plate
- Dust Seals
- Round and Square Inlets

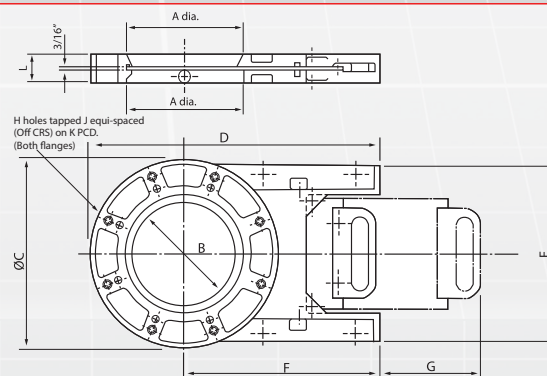
SQUARE INLET



All dimensions are in mm's unless otherwise stated

SIZE	A	B	C	D	E	F	G	H	J	K	L	M
150	150	125	250	3	70	360	235	175	12	M10	50	22.5
200	200	175	300	3	90	450	300	175	12	M10	50	22.5
250	250	225	338	3	101.5	448	279	255	12	M12	50	22.5
300	300	275	400	3	119	510	310	305	12	M10	50	22.5
350	350	325	458	3	140	568	339	355	12	M12	50	22.5

CIRCULAR INLET



All dimensions are in mm's unless otherwise stated

SIZE	A	B	C	D	E	F	G	H	J	K	L	M
125	125	100	240	353	215	233	127	8	M16	200	50	22.5
150	150	125	285	100	250	258	160	8	M16	241	50	22.5
200	200	175	230	495	300	335	173	8	M16	280	50	22.5
250	250	225	370	543	338	358	253	8	M16	320	50	22.5
300	300	275	440	628	400	408	303	12	M20	395	50	22.5
350	350	325	533	725	458	458	350	12	M20	445	50	22.5

Dimensions are approximate and subject to change without notice
 Planning-in detail for general guidance only
 (To cover safety aspects ask for our safety leaflets)
 Drillings are Rotolok standards. Variations can be made.

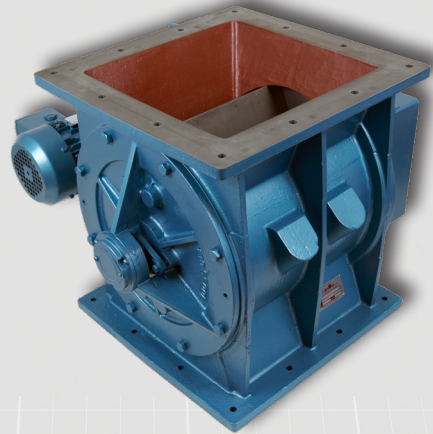
OTHER ROTOLOK PRODUCTS

As well as the Slim Slides, Rotolok manufacture and supply a range of other products in Cast Iron for use in conveying systems.

These include, but are not limited to: Blo-line pipe coupling; Slide Gates with Pneumatic, Motorised or Manual operation; Rotary Valve; Dust Collector Valve; Roundhead Valve; Blowing Seals and various Diverter Valves.

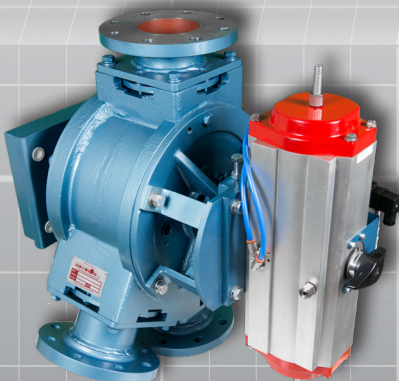
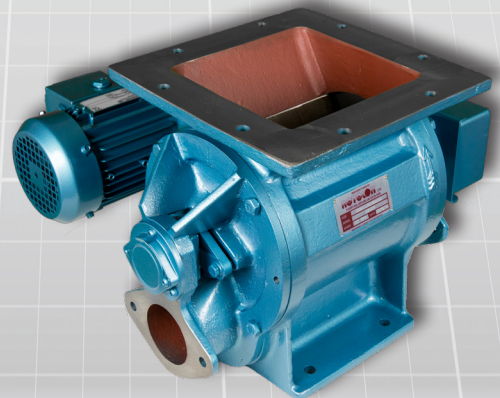
For more information, please visit our website or contact our sales team.

A Standard Rotary Valve that can be made to suit most applications with a variety of construction materials and rotors



A Cast Iron conveying diverter valve. Available with flanged or spigotted connections to fit existing conveying systems

A typical Blowing Seal with a square inlet used in pneumatic conveying systems.



A Standard Plug Diverter Valve. The valve has a rugged cast iron body and is suitable for abrasive or high pressure applications