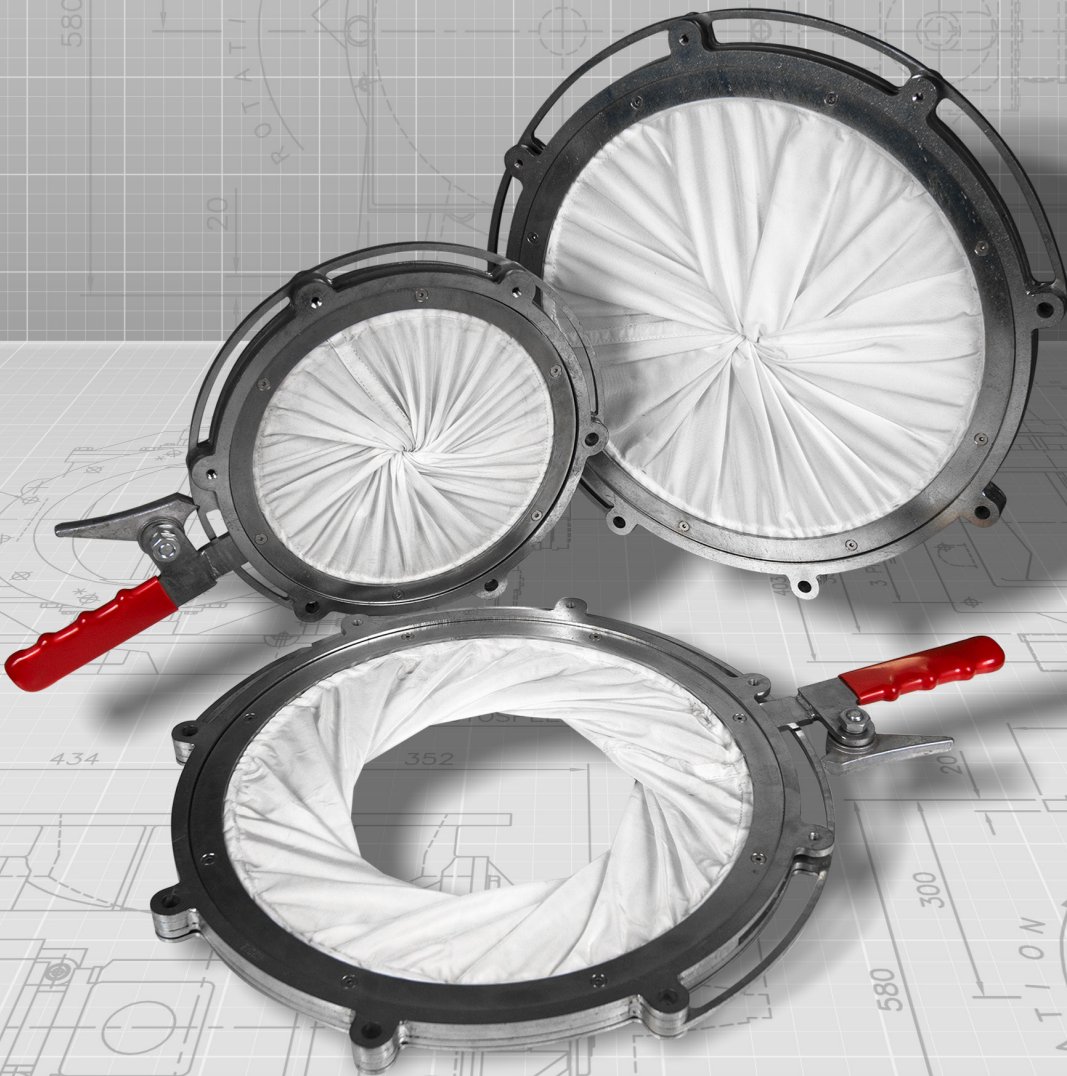


**ROTOLOK**

everything under control...



**FLEXIBLE SLEEVE VALVES**

**ROTOLOK UK**

1 Millennium Place  
Tiverton Business Park  
Tiverton  
Devon  
EX16 6SB  
United Kingdom

Tel: +44 (0) 1884 232232  
Fax: +44 (0) 1884 232200

[www.rotolok.co.uk](http://www.rotolok.co.uk)  
[sales@rotolok.co.uk](mailto:sales@rotolok.co.uk)



## INTRODUCTION

The flexible sleeve valve has proved itself over a number of years as a simple, reliable isolation or variable feed control valve on applications in the powder or air handling industries - its simplicity being its major advantage.

The basic construction is a sleeve that, with each end being held firmly to a circular shape on rotation through 180°, will completely seal against the very finest of powders and limited air pressure.

Partial rotation leads to partial opening and a multitude of different types of sleeve can be accommodated, the more common type of sleeves are woven nylon, impregnated cloth and wear resistant natural rubber. These types of sleeves are heavy, give the good full opening properties and are dust tight.

Rotolok manufacture two types of flexible sleeve valves for different applications: Rotoflex and Slimflex.

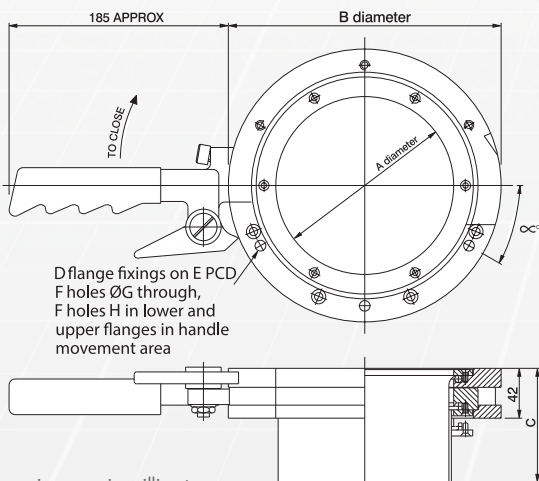
## THE ROTOFLEX

The Rotoflex is cast in aluminium or stainless steel. It is a high duty, hand operated valve for fine powders on open discharge systems.

The Rotoflex lends itself particularly on filling applications. The sleeve is fixed with stainless steel clamping rings.

It can also be used on in-line systems but care must be taken to ensure mating gasket or flange does not interfere with the rotating clamping ring.

The main advantage of the Rotoflex is that it can be re-tensioned 'insitu'.



All dimensions are in millimetres

SIZES	A	B	C	D	E	F	G	H	∞°
150	150	230	96	6	203	3	9	M8	30°
200	200	280	121	6	254	3	9	M8	30°
250	250	350	146	6	327	4	11	M10	22.5°
300	300	400	171	6	378	4	11	M10	22.5°

## INSTALLATION

The Rotoflex and Slimflex valve are immediately ready for installation, however it is essential that the mating flange is flat and true so as not to impart unwanted stresses into the body causing warp and consequently difficult heavy duty loading on the rotating ring.

It is important that the flange fixings in the tapped holes are not too long and protrude into the handle movement area, preventing rotation.

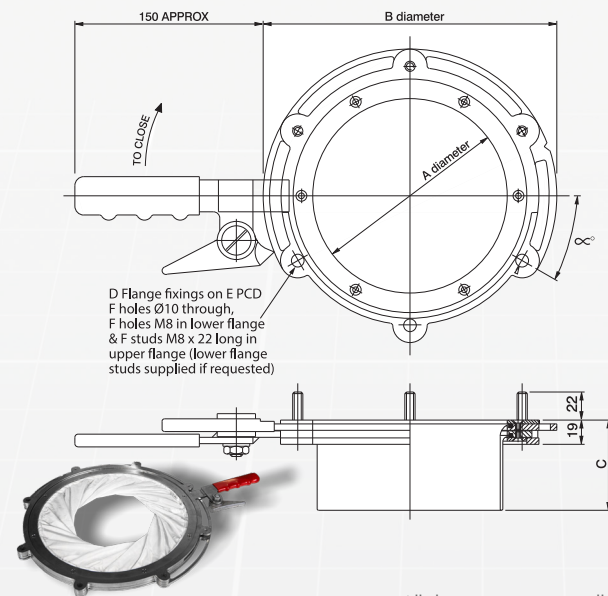
In some cases, if wear becomes a major problem it may be preferable to install a false sleeve, thereby protecting the main sleeve and simplifying its replacement.

Pneumatic actuation is an option on the Rotoflex.

## THE SLIMFLEX

The Slimflex is a low cost alternative to the Rotoflex, designed primarily for the needs of the IBC market. It is manufactured from mild or stainless steel laser cut rings providing a robust, yet lower duty valve. Mild steel parts are zinc coated.

The advantage of the Slimflex is that any size can be accommodated.



All dimensions are in millimetres

SIZES	A	B	C	D	E	F	∞°
150	152	230	86	6	203	3	30°
200	203	280	111	6	254	3	30°
250	254	350	137	8	327	4	22.5°
300	305	400	162	8	378	4	22.5°

## DOUBLE SLEEVE OPTION

It is available on Rotoflex and Slim flex. It gives the added advantage of complete sealing to the working components and is therefore in 'in-line' systems, completely dust tight which is a valuable aid with most powder and air handling systems up to 28" w.g. The doubling effect of the sleeve gives good sealing qualities.

Dimensions are approximate and subject to change without notice  
 Planning-in detail for general guidance only  
 (To cover safety aspects ask for our safety leaflets)  
 Drillings are Rotolok standards. Variations can be made.

