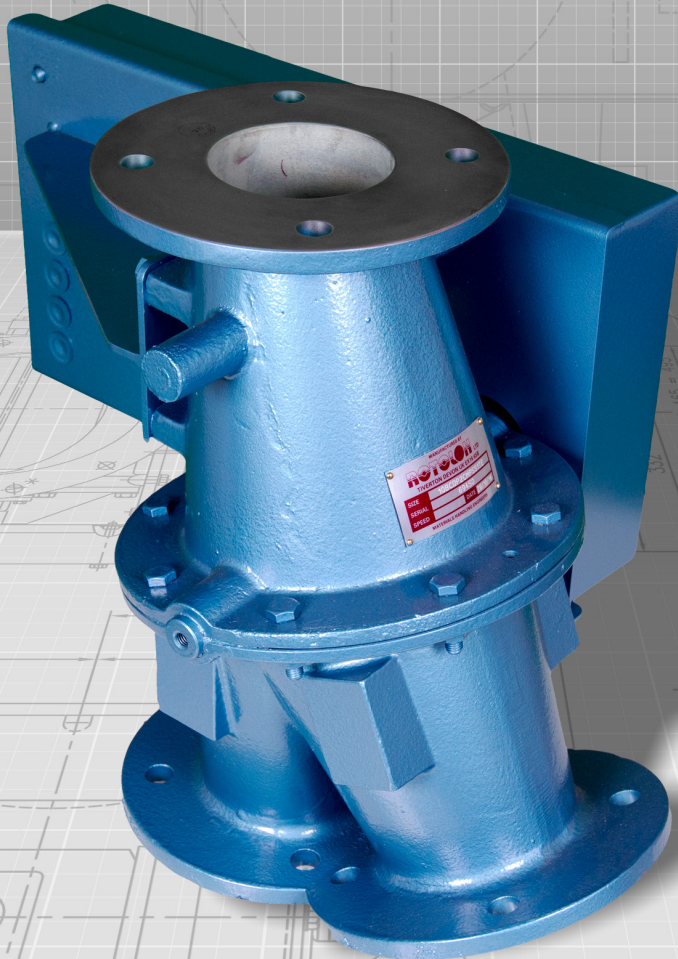


ROTOLOK

everything under control...



CONVEYING DIVERTERS

ROTOLOK UK

1 Millennium Place
Tiverton Business Park
Tiverton
Devon
EX16 6SB
United Kingdom

Tel: +44 (0) 1884 232232
Fax: +44 (0) 1884 232200

www.rotolok.co.uk
sales@rotolok.co.uk



INTRODUCTION

Rotolok manufacture a full range of Flap, Plug and Weigh Diverters, which cover all applications in the pneumatic conveying industry to reroute powder, pellets or granules from one discharge to another.

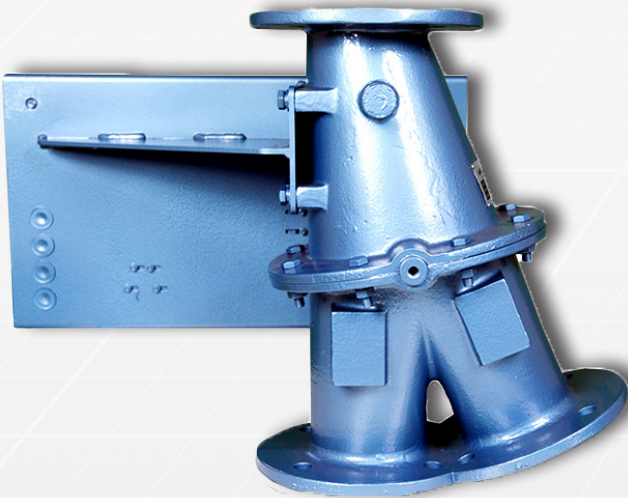
For standard two way diversion applications, Rotolok specify the Flap type Diverter Valve range.

IMPORTANT FEATURES

- Compact design
- Small divert angle
- Low pressure drop
- Smooth internals
- Pneumatic or Manual
- Wide range of materials
- Higher pressure gives greater seal
- Dust tight to 20 p.s.i.
- Easy access and maintenance
- Flanged or Spigotted Ends
- Pneumatics and switches housed in guards.

FLANGED CONNECTIONS

Simple and robust, bolt on flanged ends drilled to match international standards for bolted joints.



SPIGOTTED CONNECTIONS

The spigotted ends are connected to pipework with 'Blo-line' type couplings, facilitating quick access for maintenance. It also gives flexibility in pipe length accuracies and misalignment variation. Furthermore, the Rotolok spigotted ends are not of cast fixed length, but bolted on and fabricated of variable length. This enables the ends to be supplied to fit exactly to existing pipework.

SPECIFICATION

Bodies

Cast in Aluminium, Stainless Steel or Cast Iron

Flap Valves and Spindles

Mild Steel or Stainless

Wiper Seals

Polyurethane or food quality rubber. Temperature limit 180°C

Shaft Seal

Rubber 'O' ring

Actuation

Air Cylinder or Manual Lever

Pneumatic Version

Complete with five-port two-way single solenoid spring return valve

Limit Switches

Available to indicate open/closed conditions. Pneumatics and switches housed in guards

THE FLAP TYPE DIVERTER VALVE

The Flap Type Diverter consists of a robust body manufactured in two sections, split at the centre flange for ease of access to the internal sealing flap.

With the special cone transition at the inlet, the sealing area within the cone forms a complete parabola and therefore an efficient internal seal can be maintained without resorting to sealing ledges - increasing the conveying line pressure, the rubber wiper seals more effectively.

Internals are clean, with no lodgement points, and the transition from one line into two is gradual, limiting turbulence and therefore pressure drop. Similarly, by the streamline design, the valve will also feed from two lines into one - again with no lodgement areas.

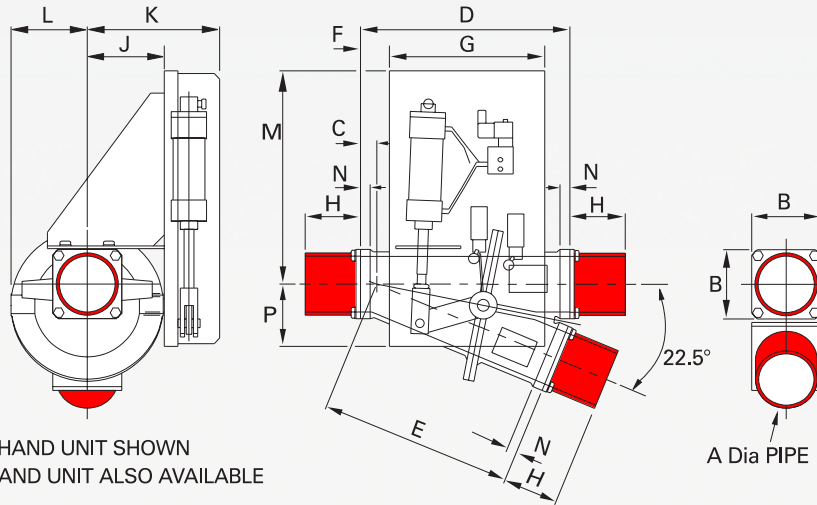
Choice of materials can cater for the majority of applications and by plating the body and internal components the semi-abrasive fields can be covered.

Special demand has necessitated the manufacture of a range of 30° divert angle valves to compliment the traditional ranges of 22½° divert angle valves. They are obviously more compact than the 22½° range but have a slightly greater pressure drop due to the increased angle.

Further demands of industry have led to the manufacture of two types of connections: Flanged and Spigotted.



0° x 22.5° SPIGOTTED CONVEYING DIVERTERS

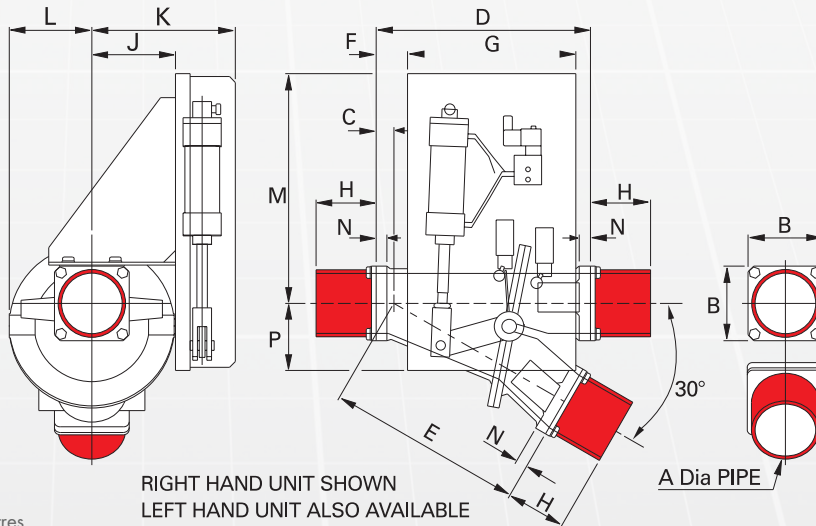


RIGHT HAND UNIT SHOWN
LEFT HAND UNIT ALSO AVAILABLE

All dimensions are in millimetres

SIZE	A PIPE	B	C	D	E	F	G	H	J	K	L	M	N	P
50	2" NB	95	20	279	259	0	250	102	92	194	90	328	19	82
63	2 1/2" NB	102	20	299	279	5	246	102	102	204	100	329	19	81
75	3" NB	114	20	360	340	25	246	102	112	214	110	325	19	85
100	4" NB	127	30	386	356	53	286	102	142	244	140	391	19	114
125	5" NB	152	30	484	454	102	286	102	162	264	160	381	19	124
150	6" NB	197	35	568	533	120	286	102	182	284	180	379	19	126

0° x 30° SPIGOTTED CONVEYING DIVERTERS



RIGHT HAND UNIT SHOWN
LEFT HAND UNIT ALSO AVAILABLE

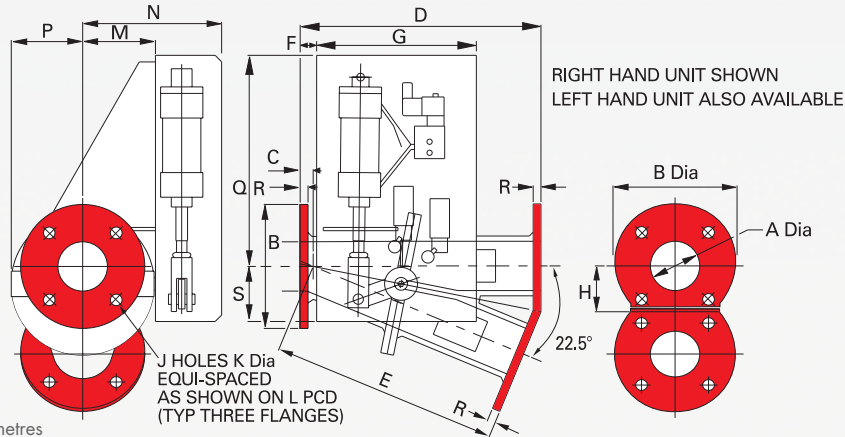
All dimensions are in millimetres

SIZE	A PIPE	B	C	D	E	F	G	H	J	K	L	M	N	P
50	2" NB	95	20	257	237	0	250	102	92	194	90	328	19	82
63	2 1/2" NB	102	20	268	248	5	246	102	102	204	100	329	19	81
75	3" NB	114	20	281	261	25	246	102	112	214	110	325	19	85
100	4" NB	127	30	364	334	53	286	102	142	244	140	391	19	114
125	5" NB	152	30	440	410	102	286	102	162	264	160	381	19	124
150	6" NB	197	35	478	443	120	286	102	182	284	180	379	19	126

Dimensions are approximate and subject to change without notice
Planning-in detail for general guidance only
(To cover safety aspects ask for our safety leaflets)
Drillings are Rotolok standards. Variations can be made.



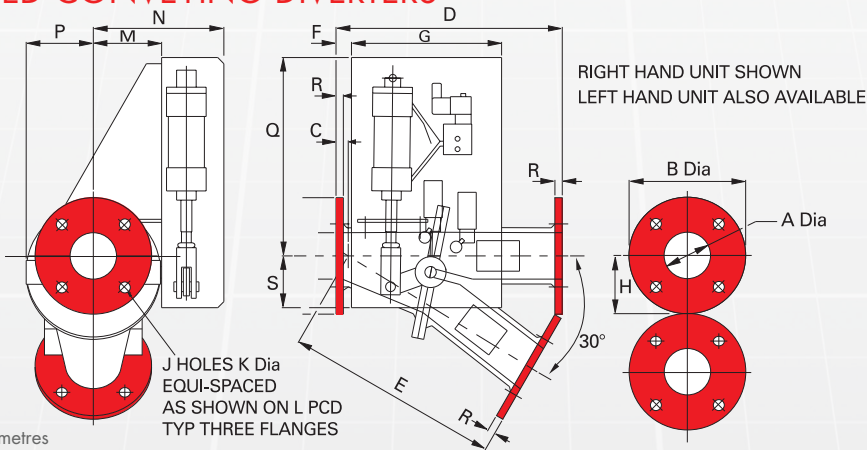
0° x 22.5° FLANGED CONVEYING DIVERTERS



All dimensions are in millimetres

SIZE	A Dia.	B Dia.	C	D	E	F	G	H	J	K	L	M	N	P	Q	R	S
25	25	114	4.5	240	235.5	22	189	46	4	14	82 (BSTD)	62	142	60	207	10	94
50	50	152	20	310	290	0	250	58	4	18	114 (BSTD)	92	194	90	328	10	82
63	63.5	178	20	350	330	5	246	65	4	18	127 (BSTD)	102	204	100	329	10	81
75	76	191	20	371	351	25	246	71	4	18	146 (BSTD)	112	214	110	325	12	85
100	102	229	30	444	414	53	286	82	4	18	178 (BSTD)	142	244	140	391	12	114
125	127	254	30	634	604	102	286	120	8	18	210 (BSTD)	162	264	160	381	14	124
150	160	280	35	759	724	120	286	130	8	18	235 (BSTD)	182	284	180	379	16	126
200	204	343	35	902	867	148	276	157	8	18	292 (BSTD)	222	324	223	411	16	131
250	264	406	35	1058	1023	239	316	196	8	22	356 (BSTD)	282	442	285	433	20	177
300	305	483	72	1313	1241	246	366	242	12	22	406 (BSTD)	302	462	300	532	25	203

0° x 30° FLANGED CONVEYING DIVERTERS



All dimensions are in millimetres

SIZE	A Dia.	B Dia.	C	D	E	F	G	H	J	K	L	M	N	P	Q	R	S
50	50	152	20	332	311	0	250	76	4	18	114 (BSTD)	92	194	90	328	10	82
63	63.5	178	20	389	368	5	246	89	4	18	127 (BSTD)	102	204	100	329	10	81
75	76	191	0	370	370	25	246	96	4	18	146 (BSTD)	112	214	110	325	12	85
100	102	229	30	546	514	53	286	115	4	18	178 (BSTD)	142	244	140	391	12	114
125	127	254	30	634	600	102	286	127	8	18	210 (BSTD)	162	264	160	381	14	124
150	160	280	35	759	721	120	286	140	8	18	235 (BSTD)	182	284	180	379	16	127
200	204	343	35	721	681	150	273	172	8	18	292 (BSTD)	222	324	223	412	16	130
250	264	406	35	858	825	239	316	203	8	22	356 (BSTD)	282	442	280	433	20	177

Dimensions are approximate and subject to change without notice
 Planning-in detail for general guidance only
 (To cover safety aspects ask for our safety leaflets)
 Drillings are Rotolok standards. Variations can be made.

